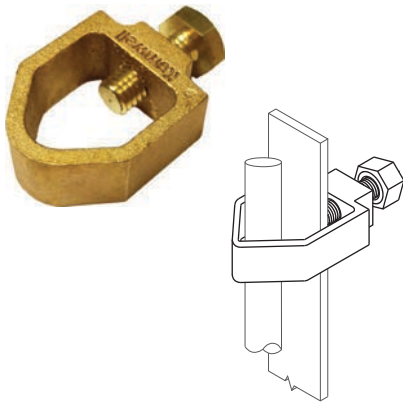
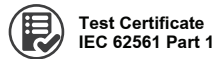


## Rod to Tape Clamp



Code No.	Rod Diameter (Ø)		Max. Tape Size	Weight
	(in)	(mm)	(mm)	(kg)
GXCT 127-2512	1/2	12.7	25x12	0.12
GXCT 127-2620	1/2	12.7	26x20	0.13
GXCT 142-2512	5/8	14.2	25x12	0.12
GXCT 142-2618	5/8	14.2	26x18	0.13
GXCT 142-302	5/8	14.2	30x2	0.13
GXCT 142-4012	5/8	14.2	40x12	0.14
GXCT 142-518	5/8	14.2	51x8	0.17
GXCT 172-2510	3/4	17.2	25x10	0.12
GXCT 172-2610	3/4	17.2	26x10	0.12
GXCT 172-302	3/4	17.2	30x2	0.13
GXCT 172-5112	3/4	17.2	51x12	0.17
GXCT 231-2610	1	23.1	26x10	0.13



Test Certificate  
IEC 62561 Part 1

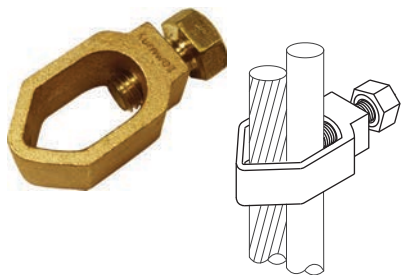


Material  
Copper Alloy - BS EN 1982  
Bolt - Brass



Application  
Clamp ground rod with copper tape conductor.

## Rod to Cable Clamp



Code No.	Rod Diameter (Ø)		Cable Size	Weight
	(in)	(mm)	(mm <sup>2</sup> )	(kg)
GXC 95-35	3/8	9.5	6-35	0.05
GXC 127-50	1/2	12.7	16-50	0.08
GXC 142-70	5/8	14.2	16-70	0.09
GXC 172-95	3/4	17.2	35-95	0.12
GXC 231-120	1	23.1	70-120	0.14



Test Certificate  
IEC 62561 Part 1

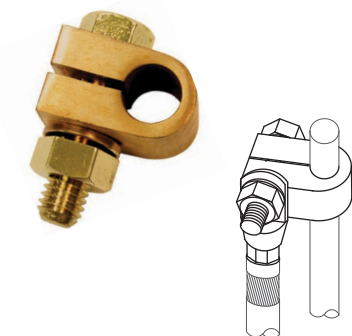


Material  
Copper Alloy - BS EN 1982  
Bolt - Brass



Application  
Clamp ground rod with copper conductor.

## Rod to Cable Lugs Clamp



Code No.	Rod Diameter (Ø)		Weight
	(in)	(mm)	(kg)
GXCL 127	1/2	12.7	0.25
GXCL 142	5/8	14.2	0.27
GXCL 172	3/4	17.2	0.32
GXCL 231	1	23.1	0.41



Test Certificate  
IEC 62561 Part 1

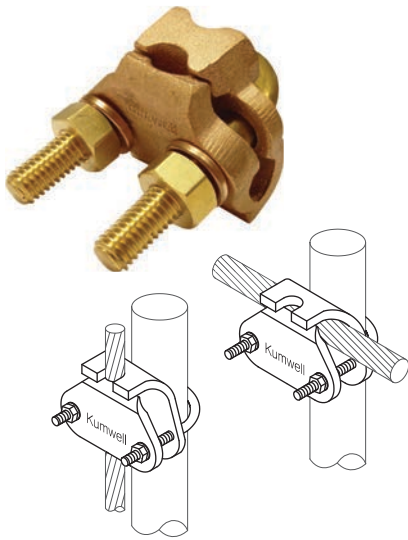


Material  
Copper Alloy - BS EN 1982  
Bolt, Nut - Brass



Application  
Clamp rod to cable lug conductor.

## Rod to Cable Clamp



Code No.	Rod Diameter (Ø)		Cable Size (mm <sup>2</sup> )	Weight (kg)
	(in)	(mm)		
GXCCC 142-95	5/8	14.2	16-95	0.32
GXCCC 142-185	5/8	14.2	70-185	0.37
GXCCC 142-300	5/8	14.2	150-300	0.53
GXCCC 172-70	3/4	17.2	16-70	0.32
GXCCC 172-150	3/4	17.2	70-150	0.37
GXCCC 172-300	3/4	17.2	150-300	0.53
GXCCC 231-70	1	23.1	16-70	0.37
GXCCC 231-150	1	23.1	70-150	0.32
GXCCC 231-300	1	23.1	150-300	0.53



**Test Certificate**  
IEC 62561 Part 1

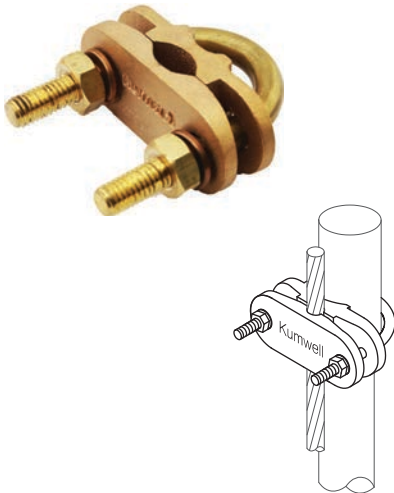


**Material**  
Copper Alloy - BS EN 1982  
Bolt, Nut - Brass



**Application**  
Clamp ground rod through or parallel to cable conductor

## Rod to Cable Clamp



Code No.	Rod Diameter (Ø)		Cable Size (mm <sup>2</sup> )	Weight (kg)
	(in)	(mm)		
GXCC 127-25	1/2	12.7	10-25	0.21
GXCC 127-70	1/2	12.7	35-70	0.21
GXCC 142-95	5/8	14.2	16-95	0.22
GXCC 142-185	5/8	14.2	70-185	0.24
GXCC 142-300	5/8	14.2	150-300	0.31
GXCC 172-70	3/4	17.2	16-70	0.22
GXCC 172-150	3/4	17.2	70-150	0.24
GXCC 172-300	3/4	17.2	150-300	0.31
GXCC 231-70	1	23.1	16-70	0.31
GXCC 231-150	1	23.1	70-150	0.38
GXCC 231-300	1	23.1	150-300	0.40



**Test Certificate**  
IEC 62561 Part 1



**Material**  
Copper Alloy - BS EN 1982  
U Bolt, Nut - Brass



**Application**  
Clamp ground rod parallel to cable conductor

## Rod or Pipe to Two Cable Clamp

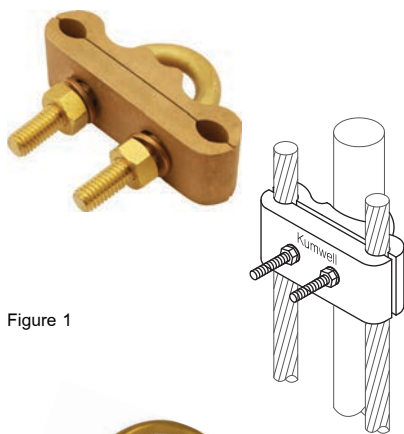


Figure 1

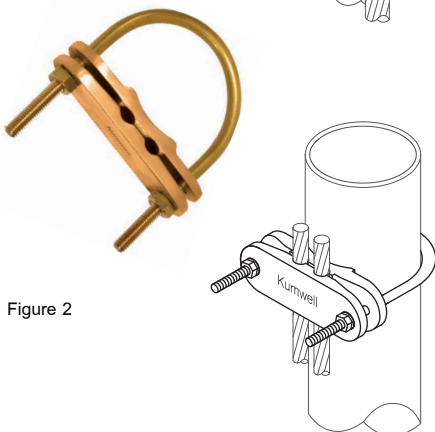


Figure 2

Code No.	Conductor		Cable Size (Sq-mm)	Weight (kg)	Figure
	Pipe (in)	Rod (in) / Rod (mm)			
GXCTW 127-70	-	1/2 / 12.7	25-70	0.38	1
GXCTW 127-120	-	1/2 / 12.7	95-120	0.38	1
GXCTW 172-70	-	5/8-3/4 / 15.9-19.1	25-70	0.43	1
GXCTW 172-120	-	5/8-3/4 / 15.9-19.1	95-120	0.43	1
GXCTW 172-240	-	5/8-3/4 / 15.9-19.1	150-240	0.86	1
GXCTW 231-70	-	1 / 23.1	25-70	0.51	1
GXCTW 231-120	-	1 / 23.1	95-120	0.51	1
GXCTW 231-240	-	1 / 23.1	150-240	0.82	1
GXCTW 25-70	1	- / 34.2	25-70	0.59	1
GXCTW 25-120	1	- / 34.2	95-120	0.59	1
GXCTW 40-70	1¼-1½	- / 42.9-48.8	25-70	0.45	2
GXCTW 40-120	1¼-1½	- / 42.9-48.8	95-120	0.45	2
GXCTW 50-70	2	- / 60.8	25-70	0.58	2
GXCTW 50-120	2	- / 60.8	95-120	0.58	2
GXCTW 65-70	2½	- / 76.6	25-70	0.83	2
GXCTW 65-120	2½	- / 76.6	95-120	0.83	2
GXCTW 80-70	3	- / 89.5	25-70	0.86	2
GXCTW 80-120	3	- / 89.5	95-120	0.86	2



Test Certificate  
IEC 62561 Part 1



Material  
Copper Alloy - BS EN 1982  
U Bolt, Nut - Brass



Application  
Clamp rod parallel to 2 cable

## Rod or Pipe to Three Cable Clamp

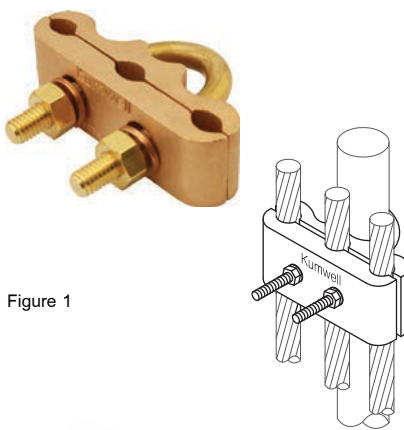


Figure 1

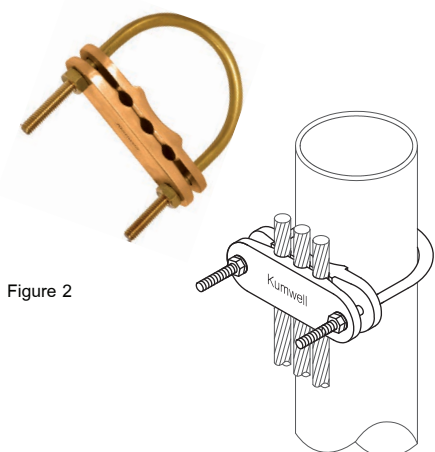


Figure 2

Code No.	Conductor		Cable Size (Sq-mm)	Weight (kg)	Figure
	Pipe (in)	Rod (in) / Rod (mm)			
GXCTH 127-70	-	1/2 / 12.7	25-70	0.37	1
GXCTH 127-120	-	1/2 / 12.7	95-120	0.37	1
GXCTH 172-70	-	5/8-3/4 / 15.9-19.1	25-70	0.42	1
GXCTH 172-120	-	5/8-3/4 / 15.9-19.1	95-120	0.42	1
GXCTH 172-240	-	5/8-3/4 / 15.9-19.1	150-240	0.73	1
GXCTH 231-70	-	1 / 23.1	25-70	0.49	1
GXCTH 231-120	-	1 / 23.1	95-120	0.49	1
GXCTH 231-240	-	1 / 23.1	150-240	0.77	1
GXCTH 25-70	1	- / 34.2	25-70	0.58	1
GXCTH 25-120	1	- / 34.2	95-120	0.58	1
GXCTH 40-70	1¼-1½	- / 42.9-48.8	25-70	0.79	1
GXCTH 40-120	1¼-1½	- / 42.9-48.8	95-120	0.79	1
GXCTH 50-70	2	- / 60.8	25-70	0.56	2
GXCTH 50-120	2	- / 60.8	95-120	0.56	2
GXCTH 65-70	2½	- / 76.6	25-70	0.81	2
GXCTH 65-120	2½	- / 76.6	95-120	0.81	2
GXCTH 80-70	3	- / 89.5	25-70	0.84	2
GXCTH 80-120	3	- / 89.5	95-120	0.84	2



Test Certificate  
IEC 62561 Part 1

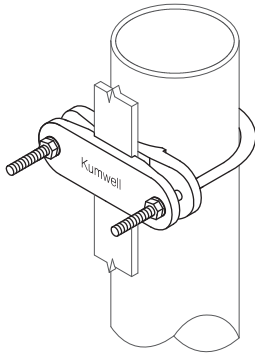


Material  
Copper Alloy - BS EN 1982  
U Bolt, Nut - Brass



Application  
Clamp rod parallel to 3 cable

## U Bolt Rod Clamp



Code No.	Rod Diameter (Ø) (mm)	Tape Size (mm)	Weight (kg)
GXCTC 16-253	16	25x3	0.28
GXCTC 16-254	16	25x4	0.28
GXCTC 16-256	16	25x6	0.28
GXCTC 20-253	20	25x3	0.30
GXCTC 20-254	20	25x4	0.30
GXCTC 20-256	20	25x6	0.30
GXCTC 25-253	25	25x3	0.33
GXCTC 25-254	25	25x4	0.33
GXCTC 25-256	25	25x6	0.33
GXCTC 31-253	31	25x3	0.35
GXCTC 31-254	31	25x4	0.35
GXCTC 31-256	31	25x6	0.35
GXCTC 38-253	38	25x3	0.36
GXCTC 38-254	38	25x4	0.36
GXCTC 38-256	38	25x6	0.36
GXCTC 50-253	50	25x3	0.44
GXCTC 50-254	50	25x4	0.44
GXCTC 50-256	50	25x6	0.44



**Test Certificate**  
IEC 62561 Part 1

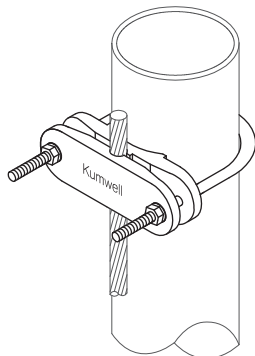


**Material**  
Copper Alloy - BS EN 1982  
U Bolt, Nut - Brass



**Application**  
Clamp rod parallel to copper tape conductor.

## Pipe to Cable Clamp



Code No.	Pipe Diameter (Ø) (in)	Cable Size (Sq-mm)	Weight (kg)
GXCPC 10-70	3/8	16-70	0.26
GXCPC 10-120	3/8	70-120	0.26
GXCPC 20-70	3/4	16-70	0.29
GXCPC 20-120	3/4	70-120	0.29
GXCPC 25-70	1	16-70	0.32
GXCPC 25-120	1	70-120	0.32
GXCPC 40-70	1¼-1½	16-70	0.54
GXCPC 40-120	1¼-1½	70-120	0.54
GXCPC 50-70	2	16-70	0.77
GXCPC 50-120	2	70-120	0.77
GXCPC 65-70	2½	16-70	0.84
GXCPC 65-120	2½	70-120	0.84
GXCPC 80-70	3	16-70	0.97
GXCPC 80-120	3	70-120	0.97
GXCPC 100-70	4	25-70	1.47
GXCPC 100-120	4	70-120	1.47



**Test Certificate**  
IEC 62561 Part 1

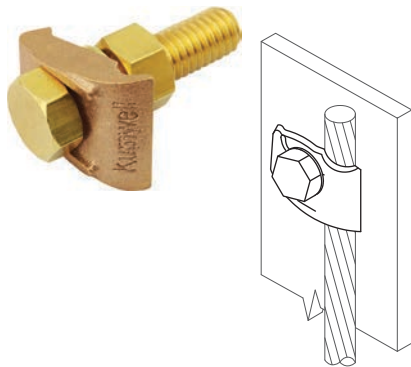


**Material**  
Copper Alloy - BS EN 1982  
U Bolt, Nut - Brass



**Application**  
Clamp pipe parallel to one cable.

## Clamp A Cable to Flat Bar



### Flat Bar

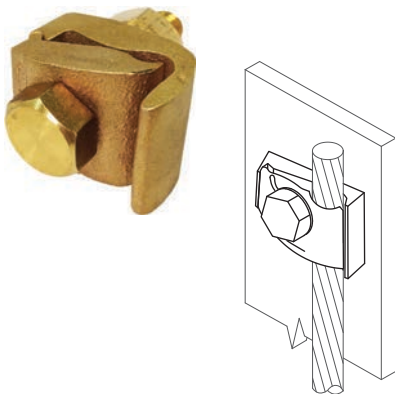
Code No.	Cable Size (mm <sup>2</sup> )	Bolt Size (in)	Weight (kg)
GXCCF-G1	25-50	3/8x1½	0.076
GXCCF-G2	70-120	1/2x2	0.136
GXCCF-G3	150-240	1/2x2	0.144

 **Test Certificate**  
IEC 62561 Part 1

 **Material**  
Copper Alloy - BS EN 1982  
U Bolt, Nut - Brass


 **Application**  
Clamp cable conductors to steel flat surface.


### Flat Bar Clamp



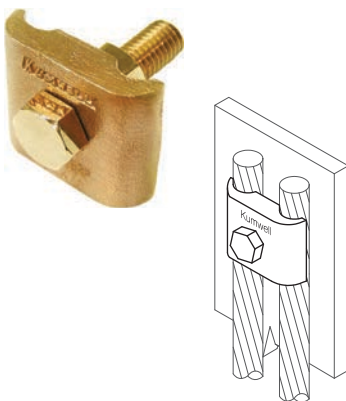
Code No.	Cable Size (mm <sup>2</sup> )	Bolt Size (in)	Weight (kg)
GXCCF-G1P	25-50	3/8x1½	0.124
GXCCF-G2P	70-120	1/2x2	0.194
GXCCF-G3P	150-240	1/2x2	0.228

 **Test Certificate**  
IEC 62561 Part 1

 **Material**  
Copper Alloy - BS EN 1982  
U Bolt, Nut - Brass

 **Application**  
Clamp 2 cable conductors to steel flat surface with grooving piece in order to cable dirtortion.


## Clamp Two Cable to Flat Bar




### Flat Bar

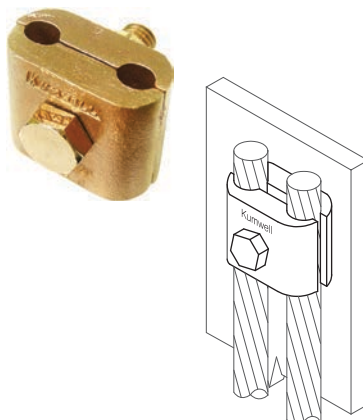
Code No.	Cable Size (mm <sup>2</sup> )	Bolt Size (in)	Weight (kg)
GXCCP-G1	25-50	3/8x1½	0.16
GXCCP-G2	70-120	1/2x2	0.24
GXCCP-G3	150-240	1/2x2	0.31

 **Test Certificate**  
IEC 62561 Part 1


 **Material**  
Copper Alloy - BS EN 1982  
U Bolt, Nut - Brass


 **Application**  
Clamp 2 cable conductors to steel flat surface.


### Flat Bar Clamp



Code No.	Cable Size (mm <sup>2</sup> )	Bolt Size (in)	Weight (kg)
GXCCP-G1P	25-50	3/8x1½	0.28
GXCCP-G2P	70-120	1/2x2	0.39
GXCCP-G3P	150-240	1/2x2	0.45

 **Test Certificate**  
IEC 62561 Part 1

 **Material**  
Copper Alloy - BS EN 1982  
U Bolt, Nut - Brass

 **Application**  
Clamp 2 cable conductors to steel flat surface with grooving piece in order to cable dirtortion.

## One Cable to Pipe Clamp



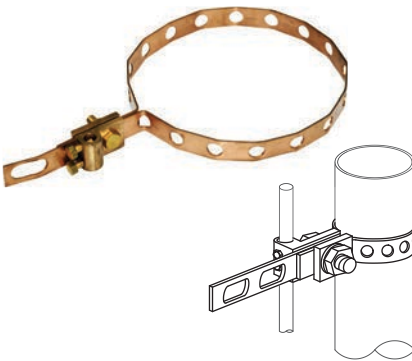
Code No.	Pipe Diameter (Ø) (in)	Cable Size (mm <sup>2</sup> )	Weight (kg)
GXPCP1-50-95	1¼-2	25-95	0.40
GXPCP1-75-95	2½-3	25-95	0.52
GXPCP1-100-95	3½-4	25-95	0.70

 **Test Certificate**  
IEC 62561 Part 1

 **Material**  
Copper Alloy - BS EN 1982  
U Bolt, Nut - Brass


 **Application**  
Clamp cable conductors to steal pipe.


## Pipe Bond Clamp



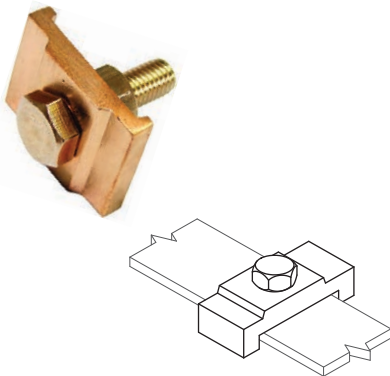
Code No.	Pipe Diameter (mm)	Conductor Type	Conductor Size (mm)	Weight (kg)
GBP 8	50-200	Solid	8	0.59

 **Test Certificate**  
IEC 62561 Part 1

 **Material**  
Copper Alloy - BS EN 1982  
Copper Tape - BS EN 13601  
Bolt, Nut - Brass


 **Application**  
Bond Solid copper conductor to large metal pipe.


## Tape Clamp



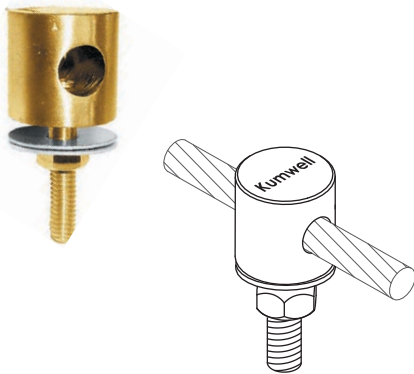
Code No.	Tape Size (mm)	Bolt Size (in)	Weight (kg)
LPTBC	25x3	3/8	0.13
LPTBC-A	25x3	3/8	0.039

 **Test Certificate**  
IEC 62561 Part 1

 **Material**  
Copper Alloy - BS EN 1982  
Bolt, Nut - Brass  
Aluminium Alloy - BS 2898,  
Bolt, Nut - Brass

 **Application**  
Fix copper tape conductor with steal flat surface.

## Cable Grid



Code No.	Cable Size (mm <sup>2</sup> )	Stud Size (in)	Weight (kg)
GXCG 95	95	5/16	0.16
GXCG 120	120	5/16	0.18
GXCG 185	185	3/8	0.25



**Test Certificate**  
IEC 62561 Part 1

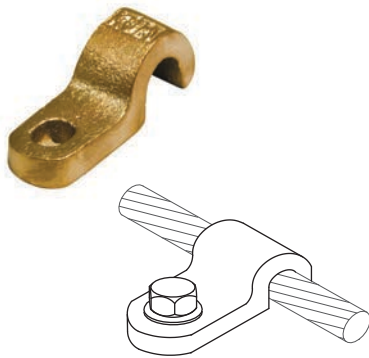


**Material**  
Copper Alloy - BS EN 1982  
Stud, Nut - Brass  
Washer - Bi - Copper, Aluminium



**Application**  
Clamp cable conductors to framework to earthing cable conductor.

## Ground Clamp



Code No.	Cable Size (mm <sup>2</sup> )	Weight (kg)
LGRC-A70	50-70	0.045
LGRC-A	95-120	0.050
LGRC-B	150-185	0.100
LGRC-C	240-300	0.120
LGRC-AA	95-120	0.015
LGRC-BA	150-185	0.031
LGRC-CA	240-300	0.036



**Test Certificate**  
IEC 62561 Part 4



**Material**  
Copper Alloy - BS EN 1982  
Aluminium Alloy - BS EN 2898



**Application**  
Lock wire or cable conductor on flat surface.

## Static Earth Receptacle



Code No.	Dimensions (mm)			Weight (kg)
	W	L	Ø	
GYSER 663	69	114	12.7	0.65
GYSER 993	120.6	158.8	12.7	1.88



**Test Certificate**  
IEC 62561 Part 1

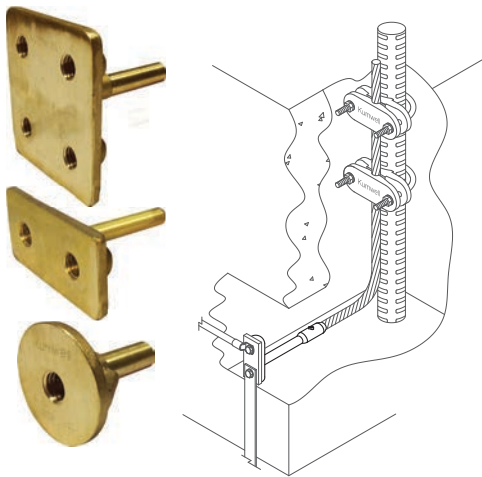


**Material**  
Copper Alloy - BS EN 1982



**Application**  
Connect to grounding system by installing runway, gas station or else to discharge static electricity from airplane or oil tank.

## Earth Point



### Earth Point

Code No.	No. of Hole	Stud LxWxH (in)	Weight (kg)
GXEP 120(1)	1	55xØ50	0.30
GXEP 120(2)	2	76x82.5x41	0.30
GXEP 120(4)	4	76x82.5x82.5	0.60



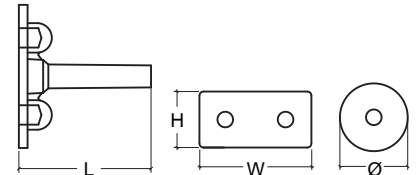
Test Certificate  
IEC 62561 Part 1



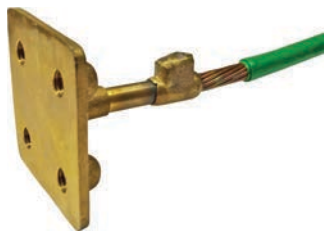
Material  
Copper Alloy - BS EN 1982



Application  
Connect rebar to earth point



### Earth Point with Prewelding



Code No.	No. of Hole	Cable with PVC		Weight (kg)
		Cable Size (mm <sup>2</sup> )	Length (mm)	
GXEP 1201-500	1	70	500	0.77
GXEP 1202-500	2	70	500	0.72
GXEP 1202-1000	2	70	1000	1.10
GXEP 1202-3000	2	70	3000	2.50
GXEP 1204-500	4	70	500	0.90
GXEP 1204-1000	4	70	1000	1.30
GXEP 1204-3000	4	70	3000	2.20



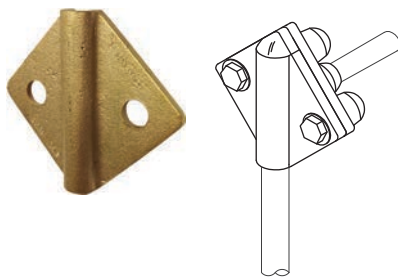
Test Certificate  
IEC 62561 Part 1



Material  
Copper Alloy - BS EN 1982  
Cable - Stranded Copper with Green PVC cover  
Connection - Exothermic Welding



Application  
Connect rebar to earth point



### Front Cover

Code No.	Cable Size (mm <sup>2</sup> )	Earth Point (Code No.)	Weight (kg)
GXEP 120B	70	GXEP 120(4)	0.25



Material  
Copper Alloy - BS EN 1982



Application  
Fix conductor on earth point

\*Special cable's size of earth point with prewelding can be requested.

### Stainless Steel Earth Point



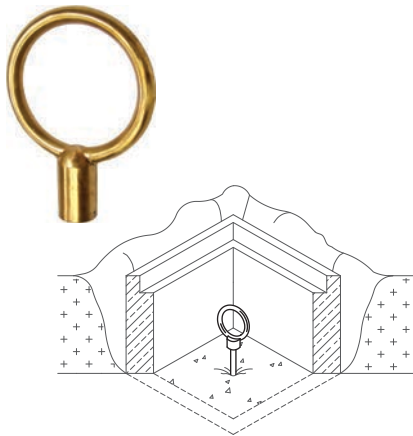
Code No.	Conductor Length (L)	Thread Size	Conductor (Ø) (mm)
GXEP 801-SS-M10-150	150	M10	10
GXEP 801-SS-M10-400	400	M10	10
GXEP 801-SS-M10-600	600	M10	10



Material  
Body : Stainless Steel 304  
Tail : Galvanized Steel

**Note** : IEC has recommended to use double connector for every connection to earth point for safety and reliability of the system.

## Eye Bolt



Code No.	Thread (in)	Weight (kg)
GXEYB 58	5/8	0.41
GXEYB 34	3/4	0.52



**Test Certificate**  
IEC 62561 Part 2

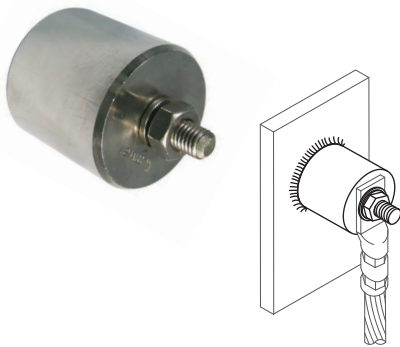


**Material**  
Copper Alloy - BS EN 1982



**Application**  
Connect with ground rod as a static earth point in grounding system

## Earth Boss



Code No.	Diameter (Ø) (mm)	L (mm)	Stud Size	Weight (kg)
GXEAB	50	45	M10	0.73
GXEAB-MS	50.8	45	M10	0.75

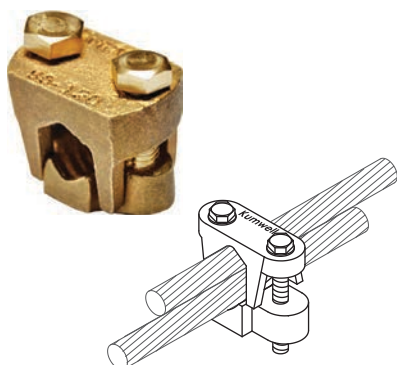


**Material**  
Stainless Steel - 304 (GXEAB)  
Mild Steel (GXEAB-MS)  
Stud, Nut - Stainless Steel



**Application**  
Weld onto steel vessel, tank or other structure for bonding point in grounding & lightning protection

## Connector Screw Type



Code No.	Cable Size (mm <sup>2</sup> )		Bolt Size (in)	Weight (kg)
	Run	Tap		
LXCNS 16-35	16-35	4-35	1/4x1	0.08
LXCNS 50-70	50-70	4-70	1/4x1½	0.10
LXCNS 95-120	95-120	4-120	5/16x1½	0.16
LXCNS 150-185	150-185	4-185	3/2x2	0.39



**Test Certificate**  
IEC 62561 Part 1



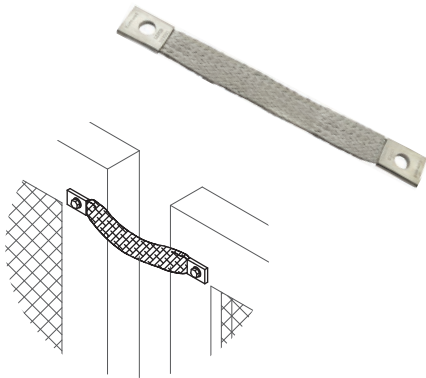
**Material**  
Copper Alloy - BS EN 1982  
Bolt - Brass



**Application**  
Suitable for joint copper conductor (above ground).


## Flexible Copper Braid Bond

### Copper Braid with Tinned (1 Hole)

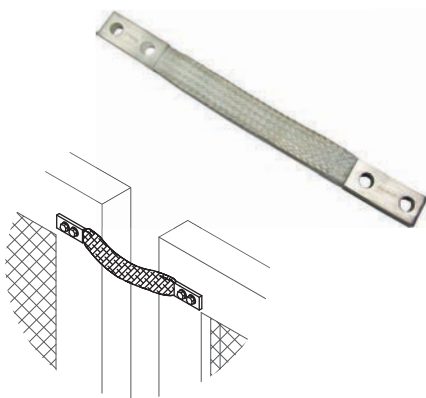


Code No.	Amp Rating (A)	No. of Layer	Length (mm)	Cross Section (mm <sup>2</sup> )	Weight (kg)
LZFCB 502001	200	1	200	50	0.12
LZFCB 503001	200	1	300	50	0.16
LZFCB 504001	200	1	400	50	0.21


 **Material**  
High conductivity tinned copper wire.


 **Application**  
gate, fence, etc., where flexibility is required or the bond is subject to movements.

### Copper Braid with Tinned (2 Hole)

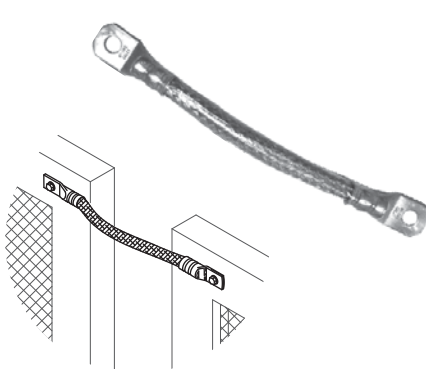


Code No.	Amp Rating (A)	No. of Layer	Length (mm)	Cross Section (mm <sup>2</sup> )	Weight (kg)
LZFTB 353501	150	1	350	35	0.15
LZFTB 503501	200	1	350	50	0.18
LZFTB 703501	250	1	350	70	0.25
LZFTB 953501	300	1	350	95	0.35
LZFTB 1203501	360	1	350	120	0.42
KGZFCB 39533	700	3	386	150	0.60

 **Material**  
High conductivity tinned copper wire.


 **Application**  
Suitable for bonding of metal door, gate, fence, etc., where flexibility is required or the bond is subject to movements.

### Copper Braid with Tinned (Round Type)



Code No.	Amp Rating (A)	Length (mm)	Cross Section (mm <sup>2</sup> )	Weight (kg)
GRB20-350	480	350	150	0.75
GRB20-1000	480	1000	150	2.15

 **Material**  
High conductivity tinned copper wire.

 **Application**  
gate, fence, etc., where flexibility is required or the bond is subject to movements.


\*Special size can be requested.

## Expansion Braid Bond



Code No.	Length (L) (mm)	Cross Section (mm <sup>2</sup> )	Weight (kg)
LXEBC 200	200	35	0.42
LXEBC 300	300	35	0.62

 **Material**  
High conductivity copper wire with tinned.  
Bolt - Stainless Steel

 **Application**  
Suitable for bonding of metal door, gate, fence, etc., where flexibility is required or the bond is subject

## Static Earth Reels

Kumwell Static earth reels are used to ground equipment operating in hazardous area. When properly clamped to ground, the static earth reel dissipates static electrical buildup, reducing the chances of sparking and the potential for explosion.



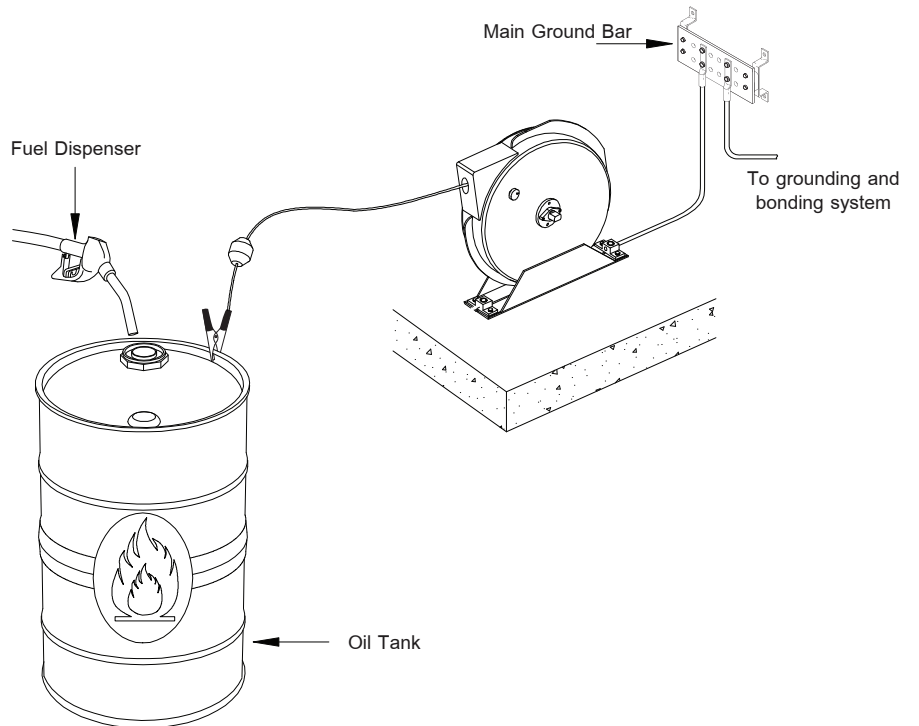
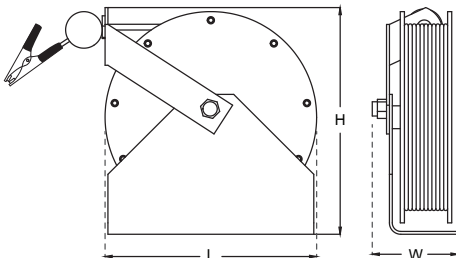
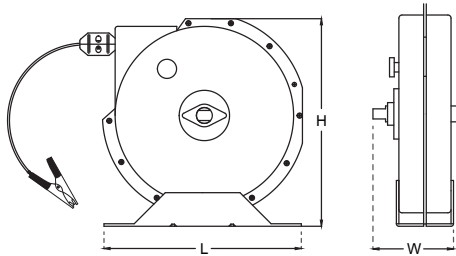
Code No.	Cable Length (m)	Diameter (mm)			Weight (kg)
		L	W	H	
GERA-15SL-N	15	222	85	225	5
GERA-30SL-N	30	235	95	250	7



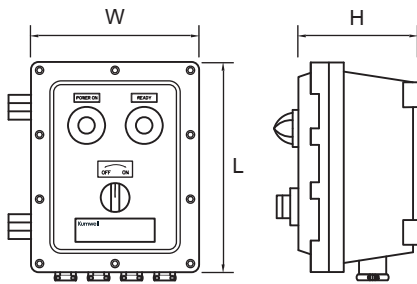
**Material**  
Automatic Reels - Steel  
Ground Clamp - Copper  
Conductor - Sling 3/32"  
Steel aircraft cable  
(Hi-Vis orange nyloncovered cable)



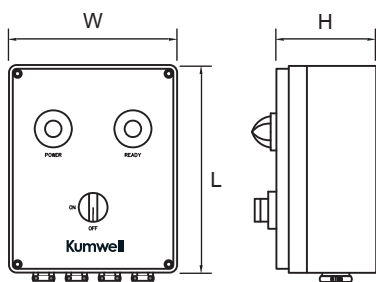
**Application**  
Discharge static electricity from airplane, gas station, petrochemical plant, etc. in grounding system, reducing the chances of sparking and the potential for explosion. Resistance is approximately one ohm per 15 m of steel cable.



## Static Earth Reels Monitor and Remote Interlock Controlled



GERA 15ME



GERA 15MP

Code No.	Cable Length (m)	Dimensions (mm)			Weight (kg)
		L	W	H	
GERA 15ME	15	254	203	145	18.5
GERA 15MP	15	200	150	100	11.5



### Application

Earth reel is an equipment for eliminating the electrostatic charges generates during the filling and emptying operations of tank-trucks which flammable and explosive products and to maintain them at electric zero potential.

- Explosion Proof Enclosure for static discharge.
- With remote monitor and control interface for fuel pispenser valve thru dry contact.



### Technical Specification

Supply voltage : 110 or 230 VAC +10% (24 VDC/AC - on request)  
 Frequency : 50/60 Hz  
 Consumptio : 12W  
 Working temperature : -10o C to +50o C



### Housing Protection

Ex environment according to ATEX : II 2G Exd IIA  
 Weatherproof : IP66



### Accessories

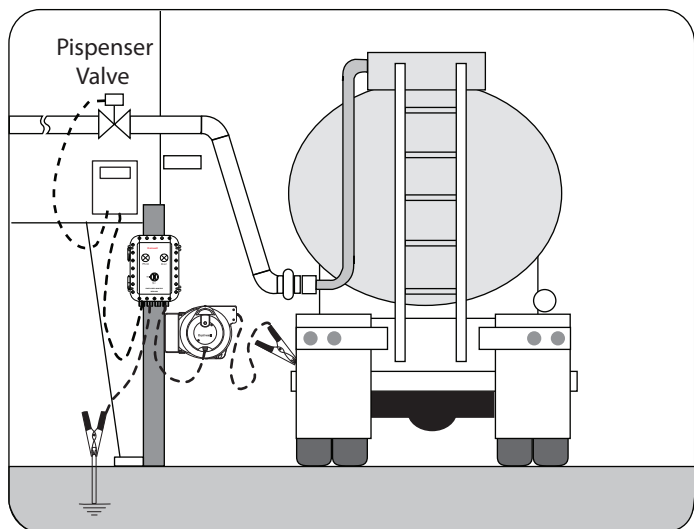
Cable reel - PVC ABS body  
 Cable - 3x1.5mm<sup>2</sup> to increase fraction resistance,  
 Clamp - Jaw Copper alloy / Brass sharp contacts 20 mm. opening



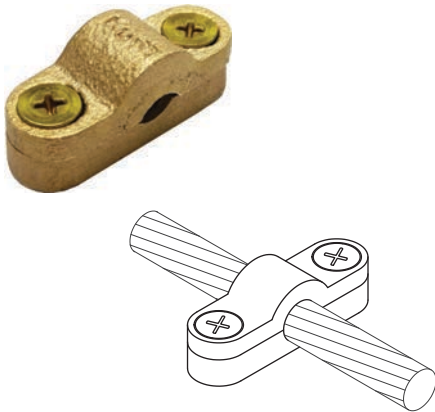
### Features

With light indicate : - Green light flashing when is safety operation  
 - Green light OFF indicating grounding system failure

Explosion proof or ABS IP66 box control  
 Electric resistance control is not exceed 5 Ohm  
 Contact voltage free (NO-NC-C) for interlock fuel operation



## Cable Support



Code No.	Cable Size (mm <sup>2</sup> )	Material	Weight (kg)
LCAS 25-35	25-35	Copper Alloy	0.06
LCAS 50-70	50-70	Copper Alloy	0.06
LCAS 95-120	95-120	Copper Alloy	0.08
LCAS 150-185	150-185	Copper Alloy	0.10
LCAS 240-300	240-300	Copper Alloy	0.17
LCAS 25-35T	25-35	Tinned Copper Alloy	0.06
LCAS 50-70T	50-70	Tinned Copper Alloy	0.06
LCAS 95-120T	95-120	Tinned Copper Alloy	0.08
LCAS 25-35A	25-35	Aluminium Alloy	0.02
LCAS 50-70A	50-70	Aluminium Alloy	0.02
LCAS 95-120A	95-120	Aluminium Alloy	0.03
LCASD-8-10A	Aluminium Ø 8-10 mm	Aluminium Alloy	0.03



Test Certificate  
IEC 62561 Part 4

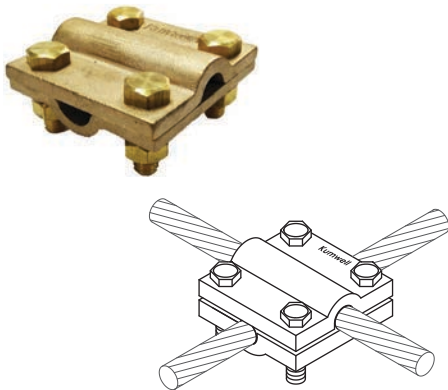


Material  
Copper Alloy - BS EN 1982, Bolt - Brass  
Tinned Copper Alloy, Bolt - Stainless Steel  
Aluminium Alloy - BS 2898,  
Bolt - Stainless Steel



Application  
Fix copper stranded or solid conductors.

## Cable Cross Clamp



Code No.	Cable Size (mm <sup>2</sup> )	Material	Weight (kg)
LCAC 35-70	70	Copper Alloy	0.32
LCAC 95-120	95-120	Copper Alloy	0.34
LCAC 150-240	150-240	Copper Alloy	0.62
LCAC 35-70A	70	Aluminium Alloy	0.10
LCAC 95-120A	95-120	Aluminium Alloy	0.16



Test Certificate  
IEC 62561 Part 1

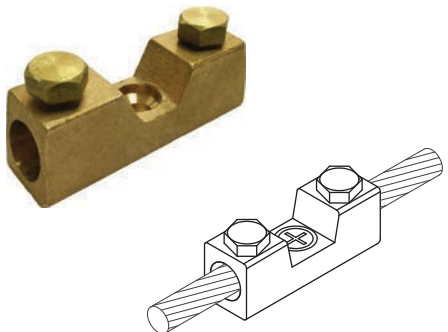


Material  
Copper Alloy - BS EN 1982, Bolt - Brass  
Aluminium Alloy - BS 2898,  
Bolt - Stainless Steel



Application  
Connect copper stranded or solid conductors.

## Cable Test Connector



Code No.	Cable Size (mm <sup>2</sup> )	Material	Weight (kg)
LCATT 35-120	35-120	Copper Alloy	0.192
LCATT 35-120T	35-120	Tinned Copper Alloy	0.192
LCATT 35-120A	35-120	Aluminium Alloy	0.058



Test Certificate  
IEC 62561 Part 1

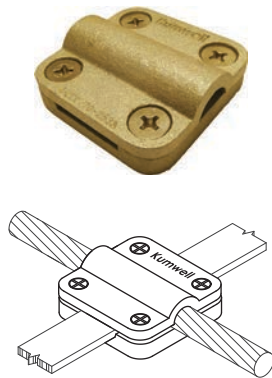


Material  
Tinned Copper Alloy, Bolt - Stainless Steel  
Aluminium Alloy - BS 2898,  
Bolt - Stainless Steel



Application  
Connect copper stranded or solid conductors.

## Cable to Tape



Code No.	Cable Size (mm <sup>2</sup> )	Tape Size (mm)	Material	Weight (kg)
LCTT 70-252	35-70	25x2	Copper Alloy	0.264
LCTT 120-252	95-120	25x2	Copper Alloy	0.266
LCTT 70-253	35-70	25x3	Copper Alloy	0.264
LCTT 120-253	95-120	25x3	Copper Alloy	0.266
LCTT 70-254	35-70	25x4	Copper Alloy	0.276
LCTT 120-254	95-120	25x4	Copper Alloy	0.292
LCTT 70-256	35-70	25x6	Copper Alloy	0.303
LCTT 120-256	95-120	25x6	Copper Alloy	0.319
LCTT 70-253A	35-70	25x3	Aluminium Alloy	0.090
LCTT 70-254A	35-70	25x4	Aluminium Alloy	0.110



**Test Certificate**  
IEC 62561 Part 1

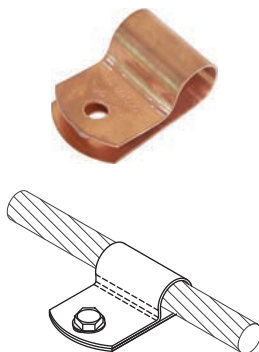


**Material**  
Copper Alloy - BS EN 1982, Bolt - Brass  
Aluminium Alloy - BS 2898, (A)



**Application**  
Connect copper tape conductors with copper  
stranded or solid conductors.

## One Hole Cable Grip



Code No.	Cable Size (mm <sup>2</sup> )	Material	Weight/100 (kg)
LOGG 25-35	25-35	Copper	1.2
LOGG 50-70	50-70	Copper	1.4
LOGG 95-120	95-120	Copper	2.5
LOGG 150-185	150-185	Copper	2.9
LOGG 240-300	240-300	Copper	9.0



**Test Certificate**  
IEC 62561 Part 4

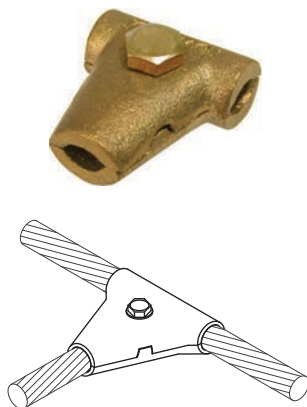


**Material**  
Copper - BS EN 13601



**Application**  
Fix copper stranded or solid conductors.

## Tee Clamp



Code No.	Cable Size (mm <sup>2</sup> )	Material	Weight (kg)
LTEC-A	50-70	Copper Alloy	0.146
LTEC-B	95-120	Copper Alloy	0.287
LTEC-AT	50-70	Tinned Copper Alloy	0.146
LTEC-BT	95-120	Tinned Copper Alloy	0.287



**Test Certificate**  
IEC 62561 Part 1

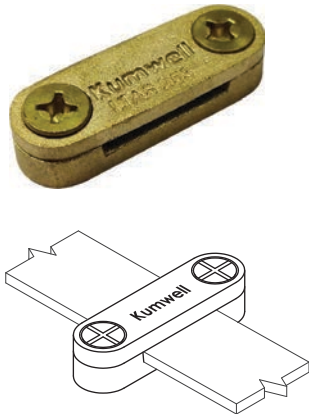


**Material**  
Copper Alloy - BS EN 1982, Bolt - Brass  
Tinned Copper Alloy, Bolt - Stainless Steel

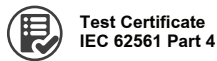


**Application**  
Connect copper stranded or solid conductors.

## Tape Support



Code No.	Tape Size (mm)	Material	Weight (kg)
LTAS-252	25x2	Copper Alloy	0.067
LTAS-253	25x3	Copper Alloy	0.067
LTAS-254	25x4	Copper Alloy	0.071
LTAS-256	25x6	Copper Alloy	0.076
LTAS-304	30x4	Copper Alloy	0.087
LTAS-305	30x5	Copper Alloy	0.090
LTAS-324	32x4	Copper Alloy	0.094
LTAS-325	32x5	Copper Alloy	0.098
LTAS-326	32x6	Copper Alloy	0.101
LTAS-403	40x3	Copper Alloy	0.112
LTAS-404	40x4	Copper Alloy	0.116
LTAS-405	40x5	Copper Alloy	0.121
LTAS-503	50x3	Copper Alloy	0.117
LTAS-506	50x6	Copper Alloy	0.127
LTAS-253T	25x3	Tinned Copper Alloy	0.067
LTAS-254T	25x4	Tinned Copper Alloy	0.071
LTAS-256T	25x6	Tinned Copper Alloy	0.076
LTAS-253A	25x3	Aluminium Alloy	0.021
LTAS-254A	25x4	Aluminium Alloy	0.027
LTAS-256A	25x6	Aluminium Alloy	0.029



**Test Certificate**  
IEC 62561 Part 4

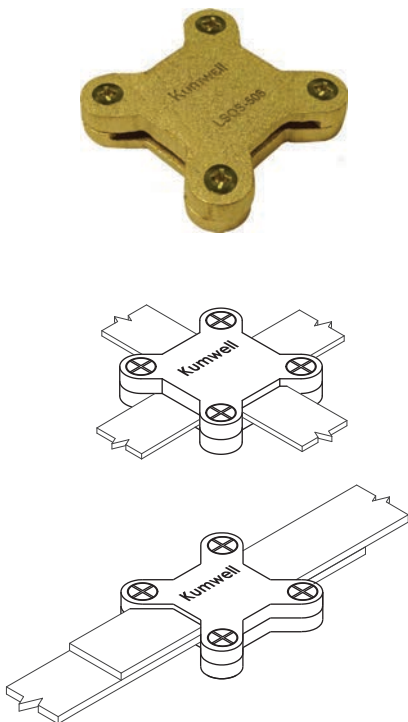


**Material**  
Copper Alloy - BS EN 1982, Bolt - Brass  
Tinned Copper Alloy, Bolt - Stainless Steel  
Aluminium Alloy - BS 2898, (A)  
Bolt - Stainless Steel



**Application**  
Fix copper or aluminium tape conductors

## Square Tape Support



Code No.	Tape Size (mm)	Material	Weight (kg)
LSQS-252	25x2	Copper Alloy	0.150
LSQS-253	25x3	Copper Alloy	0.150
LSQS-254	25x4	Copper Alloy	0.172
LSQS-256	25x6	Copper Alloy	0.216
LSQS-304	30x4	Copper Alloy	0.261
LSQS-305	30x5	Copper Alloy	0.295
LSQS-324	32x4	Copper Alloy	0.245
LSQS-325	32x5	Copper Alloy	0.276
LSQS-403	40x3	Copper Alloy	0.341
LSQS-404	40x4	Copper Alloy	0.381
LSQS-405	40x5	Copper Alloy	0.423
LSQS-503	50x3	Copper Alloy	0.412
LSQS-506	50x6	Copper Alloy	0.561
LSQS-253T	25x3	Tinned Copper Alloy	0.150
LSQS-254T	25x4	Tinned Copper Alloy	0.172
LSQS-256T	25x6	Tinned Copper Alloy	0.216
LSQS-253A	25x3	Aluminium Alloy	0.045
LSQS-254A	25x4	Aluminium Alloy	0.052
LSQS-256A	25x6	Aluminium Alloy	0.065



**Test Certificate**  
IEC 62561 Part 1



**Material**  
Copper Alloy - BS EN 1982, Bolt - Brass  
Tinned Copper Alloy, Bolt - Stainless Steel  
Aluminium Alloy - BS 2898, (A)  
Bolt - Stainless Steel



**Application**  
Connect copper or aluminium tape conductors.


## Cable-Tape Test Connector



Code No.	Conductor Size (mm)	Tape Size (mm)	Weight (kg)
LPCTTC-C	8	25x3	0.31

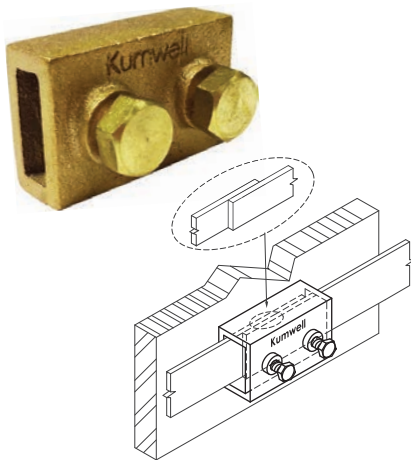
Code No.	Conductor Size (Sq mm <sup>2</sup> )	Tape Size (mm)	Weight (kg)
LPCTTC-70252	70	25x2	0.31
LPCTTC-70253	70	25x3	0.31
LPCTTC-70253A	70	25x3	0.085
LPCTTC-95252	95	25x2	0.37
LPCTTC-95253	95	25x3	0.37
LPCTTC-120252	120	25x2	0.37
LPCTTC-120253	120	25x3	0.37

 **Test Certificate**  
IEC 62561 Part 1


 **Material**  
Copper Alloy - BS EN 1982, Bolt - Brass


 **Application**  
Connect copper stranded or solid with copper tape conductors.


## Tape Test Connector



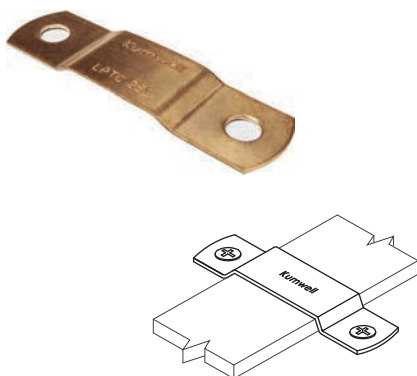
Code No.	Maximum Tape Size (mm)	Material	Weight (kg)
LTCT 256	26x8	Copper Alloy	0.236
LTCT 256T	26x8	Copper Alloy	0.236
LTCT 506	51x8	Copper Alloy	0.425
LTCT 256A	26x8	Aluminium Alloy	0.072
LTCT 506A	51x8	Aluminium Alloy	0.128

 **Test Certificate**  
IEC 62561 Part 1


 **Material**  
Copper Alloy - BS EN 1982, Bolt - Brass  
Aluminium Alloy - BS 2898, Bolt - Stainless Steel

 **Application**  
Connect copper or aluminium tape conductors.

## Tape Clip



Code No.	Tape Size (mm)	Weight/100 (kg)
LPTC-203	20x3	1.25
LPTC-252	25x2	1.34
LPTC-253	25x3	1.34
LPTC-254	25x4	1.38
LPTC-256	25x6	1.40
LPTC-303	30x3	1.35
LPTC-304	30x4	1.57
LPTC-306	30x6	1.60
LPTC-506	50x6	3.55

 **Test Certificate**  
IEC 62561 Part 4

 **Material**  
Copper - BS EN 13601

 **Application**  
Fix copper tape conductor on flat surface.

## Bi-Metallic Connector



LBMC

### Connector

Code No.	Connection Length (mm)	Material	Weight (kg)
LBMC	80	Copper / Aluminium	0.18



Test Certificate  
IEC 62561 Part 1

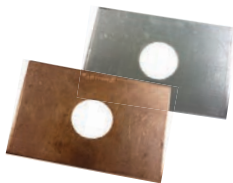
### Washer



LBMW

Code No.	Dimension (mm)	Hole Size (mm)	Weight/100 (kg)
LBMW-6	30x2	7	0.46
LBMW-8	30x2	9	0.45
LBMW-10	30x2	11	0.45
LBMW-12	30x2	14	0.44
LBMW-16	30x2	18	0.44

### Plate



LBMP

Code No.	Dimension (mm)	Hole Size (mm)	Weight/100 (kg)
LBMP-6	55x36x2	7	0.68
LBMP-8	55x36x2	9	0.68
LBMP-10	55x36x2	11	0.68
LBMP-12	55x36x2	14	0.68
LBMP-16	55x36x2	18	0.68

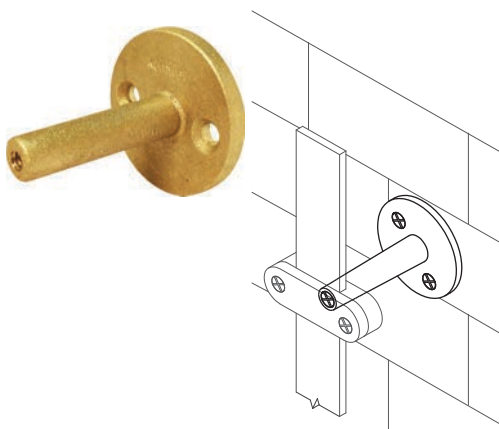


Material  
Copper Alloy - BS EN 1982  
Aluminium - BS 2898



Application  
Connect copper and aluminium conductors by non-corrosive contact which is made by fusion method

## Back Plate Holdfast



Code No.	Diameter (Ø) (mm)	Material	Weight (kg)
LXPH-C	63	Copper Alloy	0.26
LXPH-A	68	Aluminium Alloy	0.08



Test Certificate  
IEC 62561 Part 4

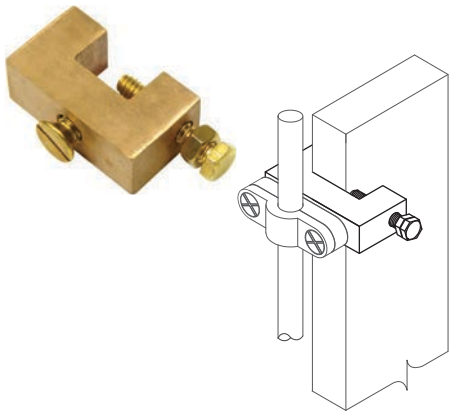


Copper Alloy - BS EN 1982  
Aluminium - BS 2898




Application  
Place copper stranded, solid or tape conductors onto flat surface.

## Back Holdfast



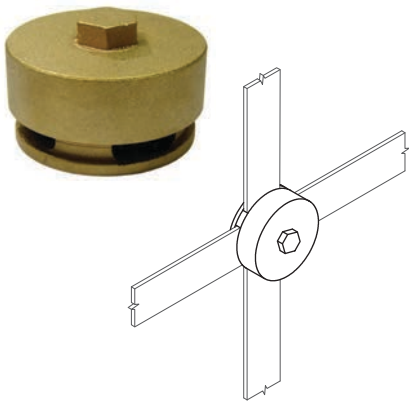
Code No.	Steel Plate Thickness (mm)	Material	Weight (kg)
LXGBH-12	1-13	Copper Alloy	0.083
LXGBH-12A	1-13	Aluminium Alloy	0.032

 **Test Certificate**  
IEC 62561 Part 4


 **Material**  
Copper Alloy - BS EN 1982,  
Bolt - Brass  
Aluminium Alloy - BS 2898,  
Bolt - Stainless Steel

 **Application**  
Support conductor onto angle Steel.


## Screw Down Test Clamp



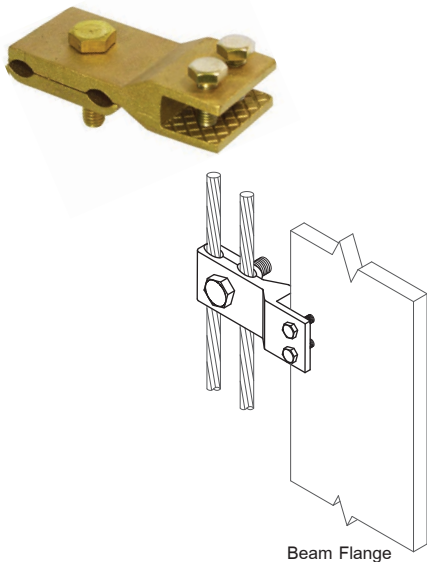
Code No.	Tape Size (mm)	Material	Weight (kg)
LXSTC-252	25x2	Copper Alloy	0.48
LXSTC-253	25x3	Copper Alloy	0.48
LXSTC-253A	25x3	Aluminium Alloy	0.15

 **Test Certificate**  
IEC 62561 Part 1


 **Material**  
Copper Alloy - BS EN 1982,  
Aluminium Alloy - BS EN 2898

 **Application**  
Connect tape conductors in 4-way crossing connection.

## Beam Clamp



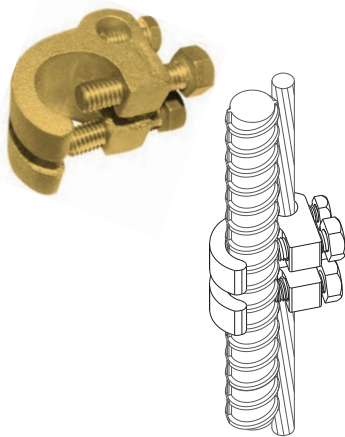
Code No.	Cable Size (mm <sup>2</sup> )	Material	Weight (kg)
LBC-35-120	35-120	Copper Alloy	0.51
LBC-35-120A	35-120	Aluminium Alloy	0.15

 **Test Certificate**  
IEC 62561 Part 1

 **Material**  
Copper Alloy - BS EN 1982  
Bolt - Brass  
Aluminium Alloy - BS 2898,  
Bolt - Stainless Steel

 **Application**  
Connect stranded copper or solid copper conductor onto tower structure, H-beam structure or steel structure.

## Conductor to Rebar Clamp



Code No.	Cable Size (mm <sup>2</sup> )	Rebar Size (mm)	Weight (kg)
LRBC 18-70	10-70	8-18	0.32



Test Certificate  
IEC 62561 Part 1

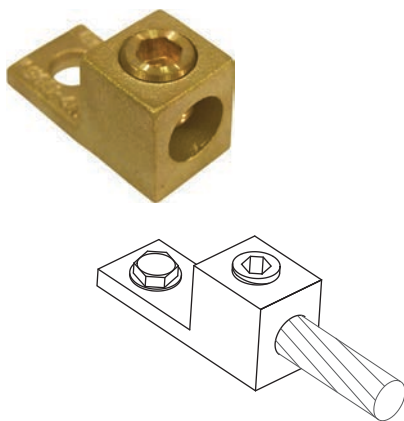


Material  
Copper Alloy - BS EN 1982  
Bolt - Brass



Application  
Hold stranded copper or solid copper  
conductors to rebar.

## Terminal Lug



Code No.	Cable Size (mm <sup>2</sup> )	Stud Size (in)	Weight (kg)
LXTEL 35	6-35	3/16	0.10
LXTEL 70	50-70	5/16	0.15
LXTEL 120	95-120	5/16	0.24
LXTEL 185	150-185	1/2	0.35
LXTEL 300	240-300	1/2	0.60
LXTEL 500	400-500	1/2	0.80



Test Certificate  
IEC 62561 Part 1

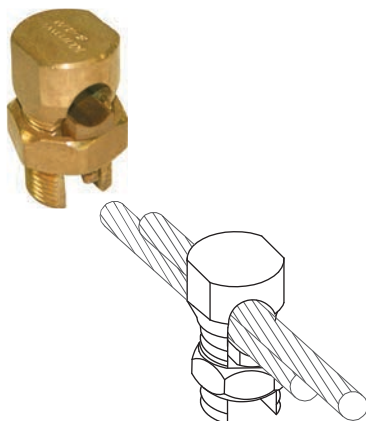


Material  
Copper Alloy - BS EN 1982,  
Bolt - Silicon Bronze



Application  
Connect copper stranded or solid  
conductors to flat bar.

## Split Bolt



Code No.	Cable Size (mm <sup>2</sup> )		Weight (kg)
	Run	Tap	
S-2/0	2/0 AWG	2/0 AWG	0.10
LXSB 70	70	70	0.10



Test Certificate  
IEC 62561 Part 1

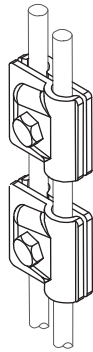


Material  
Copper Alloy - BS EN 1982



Application  
Suitable for joint copper conductors  
(above ground).

## Universal Connector

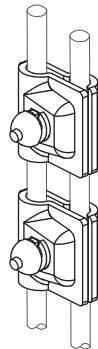


Universal Connector is made of Stainless Steel. There are two types of connecting process cross joint and parallel joint. The contact resistance shall be less than 1 mΩ, as well as the connected conductors tensile force shall be more than 900 N

Code No.	Cable Size (mm)	Torque (N·m)	Bolt Size (mm)	Weight (kg)
LCAC-SS-10-M10	8-10	26	M10 (1.50x35)	0.11



## Shear Bolt Connector

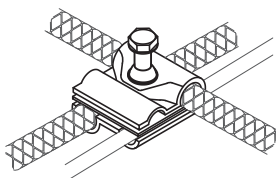


Shear Bolt Connector provide connection for cross joint or parallel joint. Easy installation, no torque wrench required.

Code No.	Cable Size (mm)	Torque (N·m)	Bolt Size (mm)	Weight (kg)
LCAC-SS-10-M10-N	8-10	26	M10 (1.50x35)	0.11



## Rebar Clamp Connector with Shear Bolt

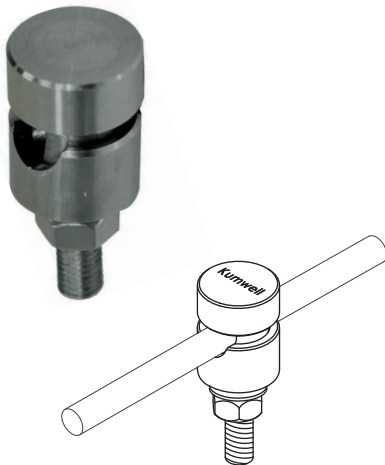


The universal clamp connector for connection type T-joint, cross joint and parallel joint between rebar to rebar, rebar to round conductor, round conductor to round conductor. The shear bolt provide quick installation and the superior of connection.

Code No.	Rebar Size (mm)	Conductor Size (mm)
GCRER-SB-25-10	16 - 25	8 - 10
GCRER-SB-25-20	16 - 25	14 - 20
GCRER-SB-40-10	32 - 40	8 - 10
GCRER-SB-40-20	32 - 40	14 - 20



## Q-Connector



Code No.	Conductor (Ø) (mm)	Weight (kg)
GXCCSS 8	8	0.068
GXCCSS 10	10	0.068



Test Certificate  
IEC 62561 Part 4

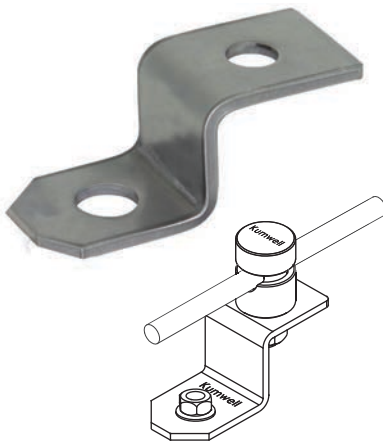


Material  
Stainless Steel 304



Application  
Fix Gavanized /Stainless Steel round

## Z-Connector



### Galvanized Steel

Code No.	Hold Size (mm)	Weight (kg)
TSS 7030-1H	11	0.054



Test Certificate  
IEC 62561 Part 1



Material  
Stainless Steel 304



Application  
Connect Q-Connector to Earth Point.

## Tape Support



Code No.	Tape Size (mm)	Weight (kg/m)
LTSS-303.5	20x3 to 30x3.5	0.112



Test Certificate  
IEC 62561 Part 4



Material  
Stainless Steel 304



Application  
Fix Gavanized /Stainless Steel round

## Tape Lug Connector

Tape Lug Connector is use for connecting Tape conductor to earth point or earth termination without drilling.



Code No.	Tape Size (mm)	Weight (kg/m)
LTSSC-303.5	20x3 to 30x3.5	0.140

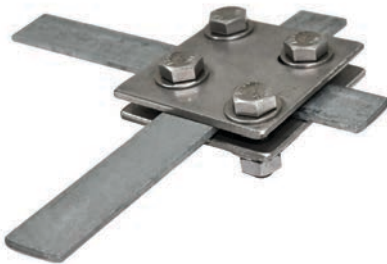


Test Certificate  
IEC 62561 Part 1



Material  
Stainless Steel 304

## Square Tape Clamp



Code No.	Tape Conductor (mm)	Torque (N·m)	Weight (kg/m)
LCACSS-T303.5	20x3 to 30x3.5	14	0.242
LCACSS-T406	30x3.5 to 40x6	14	0.312



Test Certificate  
IEC 62561 Part 1



Material  
Stainless Steel 304



Application  
Connect Gavanized /  
Stanless Steel tape conductor

## Round and Tape Connector



Code No.	Tape Conductor (mm)	Circular Conductor (Ø) (mm)	Weight (kg)
LCACSS-W10-T303.5	20x3 to 30x3.5	8-10	0.236
LCACSS-W10-T406	30x3.5 to 40x4	8-10	0.306



Test Certificate  
IEC 62561 Part 1



Material  
Stainless Steel 304




Application  
Connect Gavanized /Stanless Steel tape  
to round conductor

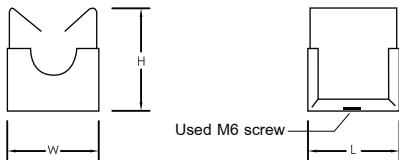
## Circular Conductors Holders



Code No.	Conductor Size (mm)	Dimension (mm)			Weight/100 (kg)
		W	L	H	
LSCH-8	8	20	22	22	1.8

 **Material**  
Stainless steel 304


 **Application**  
Hold Circular conductors to wall or floor and install above metal sheet clamp for GI Roof.



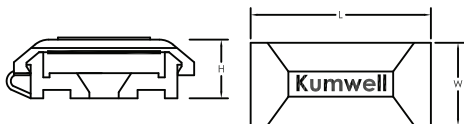
## Non Metallic DC Clips



Code No.	Tape Size (mm)	Dimension (mm)			Weight (kg)
		W	L	H	
LNDCP 252	25x2	20	37	14	0.6
LNDCP 253	25x3	20	37	14	0.6
LNDCP 254	25x4	20	37	14	0.6
LNDCP 256	25x6	20	37	14	0.6
LNDCP 253PVC	25x3 with PVC	20	37	14	0.6

 **Material**  
High grade and UV stabilized polypropylene (PP)

 **Application**  
Hold tape conductors on PVC or metal flat surface




**Note** : Special color can be requested.

## Adhesive Base



Code No.	Base Diameter (Ø) (mm)	Weight (kg)

 **Material**  
High grade and UV stabilized polypropylene (PP)


 **Application**  
Support tape clip by adhere to PVC or metal flat surface with recommended heavy duty gule

**Note** : Special color can be requested.

## Tape Clip with Adhesive Base



Code No.	Tape Size (mm)	Base Diameter (Ø) (mm)	Weight/100 (kg)
LTCS 252	25x2	63	2.50
LTCS 253	25x3	63	2.50
LTCS 254	25x4	63	2.50
LTCS 256	25x6	63	2.50
LTCS 253 PVC	25x3 with PVC	63	2.50

 **Material**  
High grade and UV stabilized polypropylene (PP)  
Bolt - Stainless Steel


 **Application**  
Hold conductors on Metallic or Plastic roof


**Note** : Special color can be requested.

## Pyramid Holdfast



Code No.	Tape Size (mm)	Base Diameter (Ø) WxL (mm)	Weight/100 (kg)
LTPH 252	25x2	120x120	1.12
LTPH 253	25x3	120x120	1.12
LTPH 254	25x4	120x120	1.15
LTPH 256	25x6	120x120	1.18
LTPH 253 PVC	25x3 with PVC	120x120	1.16

 **Material**  
High grade and UV stabilized polypropylene (PP)  
Filled-in-Concrete.  
Bolt - Stainless Steel


 **Application**  
Hold tape conductors on PVC or metal flat surface with recommended heavy duty glue

**Note** : Special color can be requested.

## Insulator Support



Code No.	Color	Weight/100 (kg)
LISUV-3-25B	Black	2.50
LISUV-3-25W	White	2.50

 **Material**  
High grade and UV stabilized Nylon 6

 **Application**  
Support equipment as an insulator

**Note** : Special color can be requested.

## Accessories Adhesive



Code No.	Material	Standard Pack (g)	Weight (kg)
LADHS	Ethyl Cyanoacrylate	20	0.02
LPRM	Aliphatic Amine	50	0.05



**Application**  
Adhesive is suitable for adhesion between the adhesive base and Metallic or Plastic roof. Primer is special product for cleaning the adhesive base and material's surface before adhesion.



**Usage**  
15 pieces and Primer for 50 pieces of Adhesive base

## Solvent Cleaning



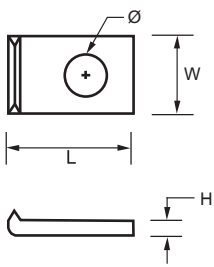
Code No.	Volume (ml)	Weight (kg)
ALSC	800	0.70



**Application**  
Clean conductor and clamp before connection

## Copper Lug for Exothermic Welding

### 1-Hole



Code No.	Cable Size (mm <sup>2</sup> )	Dimensions (mm)			
		W	L	H	Ø
CL-1-25	25	25.4	40	3.2	14.2
CL-1-35	35	25.4	40	3.2	14.2
CL-1-50	50	25.4	40	3.2	14.2
CL-1-70	70	25.4	40	3.2	14.2
CL-1-95	95	25.4	40	4.8	14.2
CL-1-120	120	25.4	40	4.8	14.2
CL-1-150	150	25.4	40	6.3	14.2
CL-1-185	185	25.4	40	6.3	14.2
CL-1-240	240	38.2	40	6.3	14.2



**Test Certificate**  
IEC 62561 Part 1

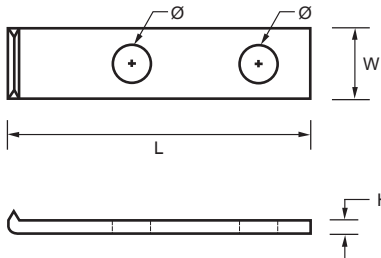


**Material**  
Tin Plated Copper - BS EN 13601



**Application**  
Connect copper stranded or solid conductors by exothermic welding

### 2-Hole



Code No.	Cable Size (mm <sup>2</sup> )	Dimensions (mm)			
		W	L	H	Ø
CL-2-25	25	25.4	85	3.2	14.2
CL-2-35	35	25.4	85	3.2	14.2
CL-2-50	50	25.4	85	3.2	14.2
CL-2-70	70	25.4	85	3.2	14.2
CL-2-95	95	25.4	85	4.8	14.2
CL-2-120	120	25.4	85	4.8	14.2
CL-2-150	150	25.4	85	6.3	14.2
CL-2-185	185	25.4	85	6.3	14.2
CL-2-240	240	38.2	85	6.3	14.2



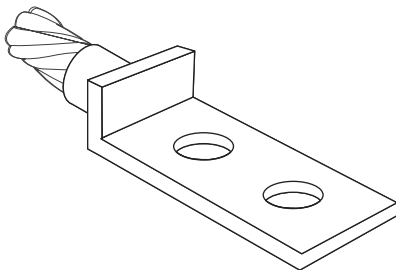
**Test Certificate**  
IEC 62561 Part 1



**Material**  
Tin Plated Copper - BS EN 13601

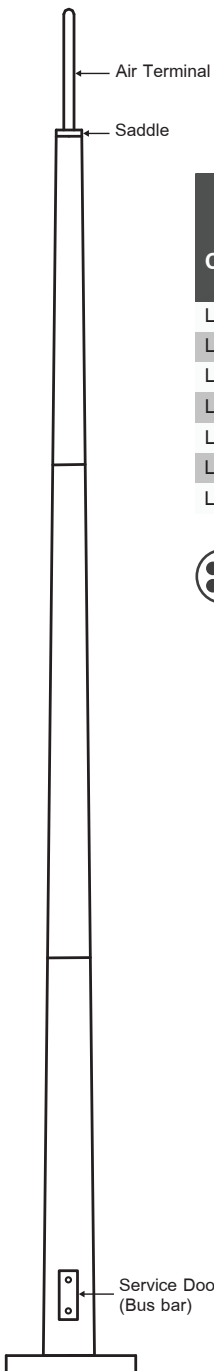


**Application**  
Connect copper stranded or solid conductors by exothermic welding.



Exothermic Welding with (Lug)CB1

## Lightning Pole



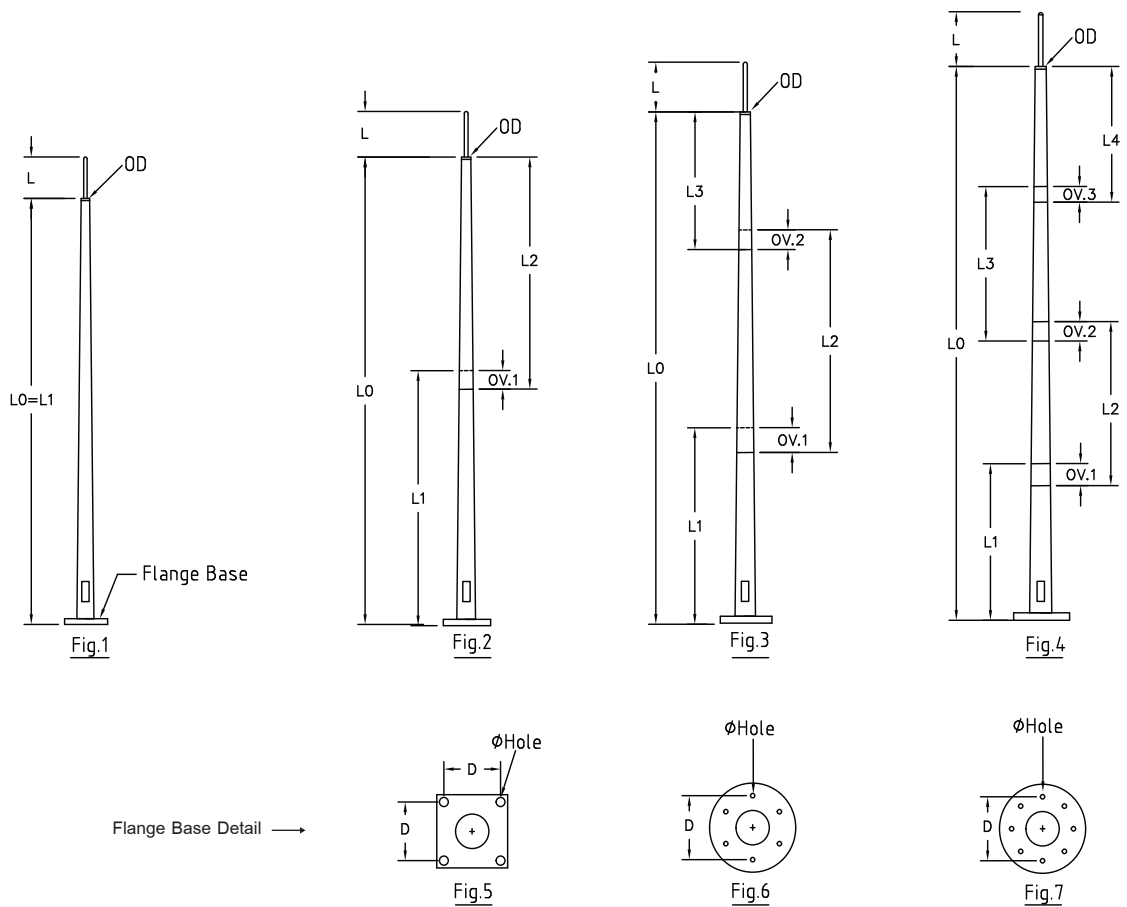
Code No.	Dimensions (mm)											O.D. Ø(mm)	Flange Base Dimensions (mm)			Approx. Weight (kg)
	Figure	LO (mm)	High	L	L1	L2	L3	L4	OV.1	OV.2	OV.3		Figure	Ø Hole (mm)	D (mm)	
LTLP-3000	1	2400	3000	600	2400	-	-	-	-	-	-	60	5	25	160	26.92
LTLP-6000	1	5400	6000	600	5400	-	-	-	-	-	-	60	5	32	250	78.88
LTLP-9000	2	8400	9000	600	5400	3200	-	-	200	-	-	60	5	32	250	132.74
LTLP-12000	3	11300	12000	600	5400	3200	3240	-	300	240	-	76	5	32	300	227.45
LTLP-15000	3	14400	15000	600	5400	4880	4780	-	380	280	-	76	5	32	350	311.05
LTLP-18000	4	17400	18000	600	5400	4880	4780	3550	530	400	280	114	6	32	450	461.26
LTLP-20000	4	19400	20000	600	5400	5600	5500	4400	600	500	400	140	7	32	550	664.11



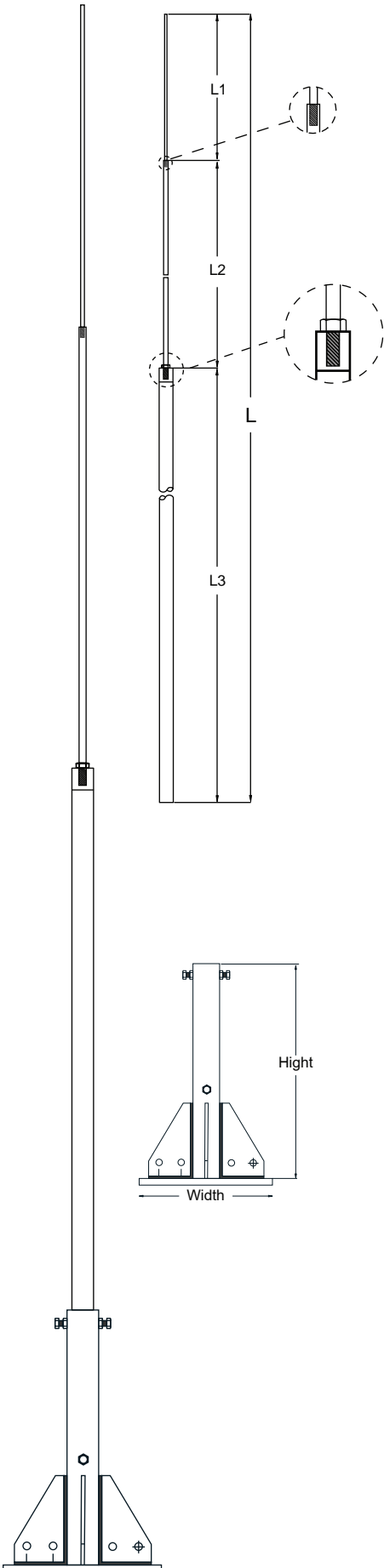
**Material**  
 Air - Terminal, Busbar - Solid Copper - BS EN 13601  
 Saddle - Copper Alloy - BS EN 1982  
 Pole - Hot Dip Galvanized Steel ASTM A123  
 Down conductor - 50 sq mm IEC 01



**Application**  
 Suitable for any areas or projects where air terminal is unable to install and mount on the roof such as oil / gas tank, solar farm etc.  
 Max wind load with stand 120 km/h.



## Self - Standing Lightning Pole (Hot Dip Galvanized)



### Pole

Code No.	L - Hight (mm)	Dimension (mm)			Weight (kg)
		L1	L2	L3	
LTSP - 3000	3000	1000	1000	1000	3.29
LTSP - 4500	4500	1000	1500	2000	5.58
LTSP - 6000	6000	1000	2000	3000	7.87



**Test Certificate**  
IEC 62561 Part 2 (Air Terminal)



**Material**  
L1 : Air rod - Aluminium Dia. 10 mm.  
L2 : Stainless Round bar SUS 304 Dia. 16 mm.  
L3 : Stainless steel pipe SUS 304 Dia. 42 mm.



**Application**  
Suitable for lightning protection,  
Chose select foundation type below.

### Fixing foundation

Code No.	Dimension (mm)		Weight (kg)
	Hight	Width	
LTSP-F	500	300	15.70



**Material**  
Hot dipgalvanized steel



**Application**  
Suitable for support self-standing lightning pole. Installation with J-bolt 3/4"(on request) fixing ambed in concrete foundation.